

# Genesys™

**Programmable DC Power Supplies**

**10/15kW in 3U**

**Built in RS-232 & RS-485 Interface**

**Parallel Current Summing**

**Optional Interfaces: USB**

**LXI Compliant LAN**

**IEEE488.2 SCPI Multi-Drop**

**Isolated Analog Interface**



## Genesys™ Family

**GEN H 750W Half Rack**

**GEN 1U 750/1500W Full Rack**

**GEN 2U 3.3kW**

**GEN 3U 10/15kW**

**LAMBDA**

[www.lambda-hp.com](http://www.lambda-hp.com)

The Genesys™ family of programmable power supplies sets a new standard for flexible, reliable, AC/DC power systems in Test & Measurement, Industrial and OEM applications.

## Features include:

- High Power Density 10/15kW in 3U
  - High Current up to 1,000ADC
  - Wide Range of popular worldwide 3 $\phi$  AC inputs, (208VAC, 400VAC, 480VAC)
  - Power Factor 0.88 (Passive Correction on all Inputs)
  - Output Voltage up to 600V, Current up to 1,000A
  - Built-in RS-232/RS-485 Interface Standard
  - Last Setting Memory; Front Panel Lockout
  - Advanced Parallel reports total current up to four identical units
  - Global Commands for Serial RS-232/RS-485 Interface
  - Reliable Encoders for Voltage and Current Adjustment
  - Independent Remote ON/OFF and Remote ENABLE/DISABLE
  - Reliable Modular and SMT Design
  - 19" Rack Mounted for ATE and OEM Applications, zero stack
  - Optional Interfaces
    - Isolated Analog Programming and Monitoring
    - IEEE Multi-Drop - SCPI
    - LXI** Compliant LAN Interface
    - USB Interface
  - Labview™ and LabWindows™ drivers
  - Five Year Warranty
- Worldwide Safety Agency Approvals; UL Recognized and CE Mark for LVD and EMC Regulation (208VAC and 400VAC Input)



## Applications

Genesys™ power supplies are designed for demanding applications.

**Test & Measurement systems** using GPIB control save significant costs by incorporating the optional IEEE Multi-Drop Interface (IEMD) in the Master. Then up to 30 Slaves may be equipped with the less expensive Optional RS-485 Multi-Drop (MD) interface.

**Automated System** designers will appreciate new, standard, remote programming features such as Global commands. Also, new high-speed status monitoring is available for the RS-485 bus as well as optional LAN (LXI compliant) or USB Interfaces.

**Industrial & Military** high power systems can be configured with up to four identical units in parallel, up to 60kW. No space is required above or below each power supply (zero stack). The Master can be configured by the user to report total current of the combination. Applications include Heaters, Magnets and Laser Diodes.

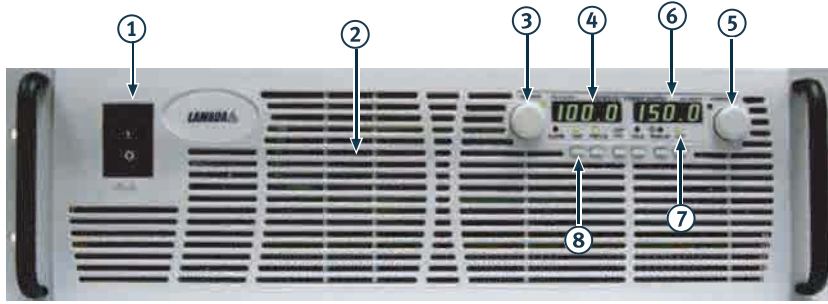
**Aerospace & Satellite Testing** systems use the complete Genesys™ Family: 1U 750W Half Rack, 1U 750W or 1500W Full-Rack, 2U 3.3kW and 3U 10/15kW. All are identical in Front Panel, Rear Panel Analog and Digital Interface Commands. A wide variety of outputs allows testing of many different devices.

**Component Device Testing** is simplified because of the many user-friendly control options in analog and digital interfaces. Lamps, capacitors, motors and actuators are typical devices tested.

**Medical Imaging and Treatment systems** require reliable power. Modular construction, SMT and thoroughly proven designs assure continuous performance at full rated power.

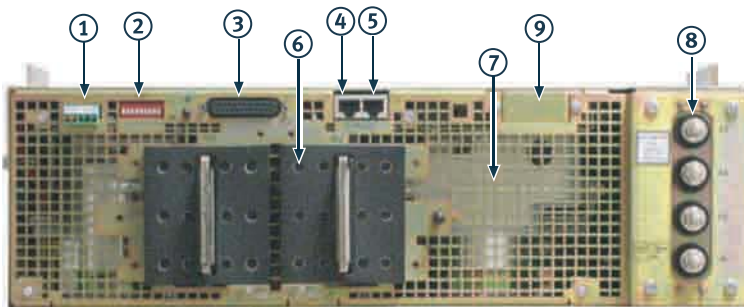
**Semiconductor Processing & Burn-in** equipment designers appreciate the wide variety of worldwide Inputs and Outputs from which to select depending on application. Selectable Safe and Auto Re-start protects loads and process integrity. Typical applications include Magnets, Filaments and Heaters.

## Front Panel Description



1. ON/OFF Switch
2. Air Intake allows zero stacking for maximum system flexibility and power density
3. Reliable encoder controls Output Voltage, Address, OVP and UVL settings
4. Volt Display shows Output Voltage and directly displays OVP, UVL and Address settings
5. Reliable encoder controls Output Current, sets Baudrate, and Advanced Parallel Mode
6. Current Display shows Output Current and displays Baudrate. Displays total current in Parallel Master/Slave Mode
7. Function/Status LEDs:
  - Alarm
  - Fine Control
  - Preview Settings
  - Foldback Mode
  - Remote Mode
  - Output On
8. Pushbuttons allow flexible user configuration
  - Coarse and fine Adjustment of Output Voltage/Current and Advanced Parallel Master or Slave select
  - Preview settings and set Voltage/Current with Output OFF, Front Panel Lock
  - Parallel Master/Slave
  - Set OVP and UVL Limits
  - Set Current Foldback Protection
  - Go to Local Mode and select Address and Baudrate
  - Output ON/OFF and Auto-Re-Start/Safe-Start Mode

## Rear Panel Description



1. Remote/Local Output Voltage Sense Connections
2. DIP Switches select 0-5V or 0-10V Programming and other functions
3. DB25 (Female) connector allows (Non-isolated) Analog Program and Monitor and other functions
4. RS-485 OUT to other Genesys™ Power Supplies
5. RS-232/RS-485 IN Remote Serial Programming
6. Output Connections: Rugged 2 hole busbars (shown) for up to 80V Output, single hole busbars 100 to 300V Output, threaded stud terminals above 300V Output
7. Exit air assures reliable operation when zero stacked
8. Input Terminals L1, L2, L3, Ground, threaded studs.
9. Optional Interfaces Position for IEEE 488.2 (GPIB), Isolated Analog Interface, LAN Interface or USB Interface

LAN Interface complies with **LXI** Class C Specification

# Genesys™ 10/15kW Specifications

1.0 MODEL	GEN	7.5-1000	10-1000	12.5-800	20-500	25-400	30-333	40-250	50-200	60-167	10kW	15kW
1. Rated output voltage	V	7.5	10	12.5	20	25	30	40	50	60	X	X
2. Rated output current	A	1000	1000	800	500	400	333	250	200	167	X	X
3. Rated output power	kW	7.5	10.0	10.0	10.0	10.0	10.0	10.0	10.0	10.0	X	X
4. Efficiency (min) at low line, 100% Rated Load	%	77					83				X	

1.0 MODEL											60-250		15kW
1. Rated output voltage	V	N/A	N/A	N/A	N/A	N/A	N/A	N/A	N/A	N/A	60		X
2. Rated output current	A										250		X
3. Rated output power	kW										15.0		X
4. Efficiency (min) at low line, 100% Rated Load	%										88		X

Contact factory for other models

## 1.1 CONSTANT VOLTAGE MODE

1. Max. line regulation (0.1% Vo Max =<30V; 0.01%>30V)	mV	7.5	10	12.5	20	25	30	4	5	6	X	X
2. Max. load regulation (0.1% Vo Max =<30V; 0.02%>30V)	mV	7.5	10	12.5	20	25	30	8	10	12	X	X
3. Ripple r.m.s 5Hz~1MHz c.v (*1)	mV	20	20	20	20	20	20	20	20	20	X	X
4. Output noise p-p(20MHz) c.v (*1)	mV	60	60	60	60	60	60	60	75	75	X	X
5. Remote sense compensation/wire	V	1	1	1	1	1	1.5	2	3	3	X	X
6. Temp. drift c.v	---	+/-0.05% of Vo Rated Over 8 hours, after 30 minute warm up, constant Line, Load & Temperature										
7. Stability c.v	PPM/C	200 (0.02% Vo Rated)/Degree C										
8. Up-prog. response time, 0~Vomax full-load	mS	100	100	100	100	100	100	100	100	100	X	X
9. Up-prog. response time, 0~Vomax, no load	mS	50	50	50	50	50	50	50	50	50	X	X
10. Transient response time (cv mode) (*2)	mS	less than 3.										

## 1.2 CONSTANT CURRENT MODE

1. Max. line regulation (0.1% Io Max =>333A; 0.05%<333A)	mA	1000	1000	800	500	400	333	125	100	83.5	X	
2. Max. load regulation (0.1% Io Max =>333A; 0.075%<333A)	mA	1000	1000	800	500	400	333	188	150	125	X	
1. Max. line regulation (0.1% Io Max =>333A; 0.05%<333A)	mA									125		X
2. Max. load regulation (0.1% Io Max =>333A; 0.075%<333A)	mA									188		X
3. Ripple r.m.s 5Hz~1MHz c.c	mA	5100	5100	2600	2600	1700	1700	100	80	67	X	
3. Ripple r.m.s 5Hz~1MHz c.c	mA									100		X
4. Temp. drift c.c	---	+/-0.05% of Io Rated Over 8 hours, after 30 minute warm up, constant Line, Load & Temperature										
5. Stability c.c	PPM/C	300( 0.03% Full Scale)/ Degree C										

## 1.3 PROTECTIVE FUNCTIONS

1. OCP	%	0~100										X	X
2. OCP type	---	Constant current										X	X
3. Foldback protection	---	Output shut down, manual reset by front panel OUT button.										X	X
4. Foldback response time	S	Less than 1										X	X
5. OVP type	---	Inverter shut-down, manual reset by On/Off recycle or by OUT button										X	X
6. OVP programming accuracy	%	5% Full Scale										X	X
7. OVP trip point	V	0.05 to (1.02-1.05) x Rated Output Voltage										X	X
8. OVP response time	mS	Less than 10mS for Output to begin to drop.										X	X
9. Max. OVP reset time	S	7 from Turn On.										X	X
10. Over temperature protection	---	Shut down if internal temperature exceeds safe operating levels. (Latched in Safe Mode/ Unlatched in Auto Mode).										X	X
11. Phase Loss Protection	---	Yes										X	X

## 1.4 REMOTE ANALOG CONTROLS & SIGNALS

1. Vout voltage programming		0~100%, 0~5V or 0~10V, user selectable. Accuracy & Linearity +/-1% of Rated Vo.										X	X
2. Iout voltage programming		0~100%, 0~5V or 0~10V, user selectable. Accuracy & Linearity +/-1% of Rated Io.										X	X
3. Vout resistor programming		0~100%, 0~5/10kohm full scale, user selectable. Accuracy & Linearity +/-1% of Rated Vo.										X	X
4. Iout resistor programming		0~100%, 0~5/10kohm full scale, user selectable. Accuracy & Linearity +/-1% of Rated Io.										X	X
5. On/Off control (rear panel)		By Voltage: 0.6V = Disable, 2-15V = enable (default) or dry contact, user selectable logic										X	X
6. Output current monitor		0~5V or 0~10V, accuracy:1%, user selectable										X	X
7. Output voltage monitor		0~5V or 0~10V, accuracy:1%, user selectable										X	X
8. Power supply OK signal		Yes. TTL high-OK, 0V (500ohm impedance)-Fail										X	X
9. CV/CC signal		CV: TTL high (4~5V) source: 10mA, CC: TTL low (0~0.4V):10mA										X	X
10. Enable/Disable		Dry contact. Open: Off, Short: On. Max. voltage at Enable/Disable Contacts 6V										X	X
11. Remote/Local selection		Selects Remote or Local operation by Voltage: 0~0.6V/2~15V, <0.6V = Local 2-15V = Remote										X	X
12. Remote/Local signal		Signals operating mode in use.										X	X

## 1.5 FRONT PANEL

1. Control functions		Vout/ Iout manual adjust by separate encoders, Fine and Coarse selectable.										X	X
		OVP/UVL manual adjust by Voltage Adjust encoder, Front Panel Lock/Unlock										X	X
		Address selection by Voltage Adjust encoder. No of addresses:31										X	X
		AC On/Off, Output On/Off, Restart Modes (Auto/Safe), Foldback Control (CV to CC), Go to Local										X	X
		RS232/485 and IEEE488.2 selection by IEEE enable switch and DIP switch										X	X
		Baudrate selection by Current adjust encoder.										X	X
		Parallel Master Slave:Hx, where x = Slaves 0 up to four.										X	X
2. Display		Vout: 4 Digits, Accuracy: 0.5% +/- 1 Count										X	X
		Iout: 4 Digits, Accuracy: 0.5% +/- 1 Count										X	X
		Voltmeter is user selectable to read either local voltage (at power supply) or remote voltage (at the load).										X	X
3. Indications		ADDR., OVP/UVL, V/A, FOLD, REM./LOCAL, OUT ON/OFF, LFP/UFPP, CC/CV : GREEN LED's. ALRM (OVP,OTP,FOLD,AC FAIL): RED LED										X	X

## 1.6 DIGITAL PROGRAMMING & READBACK

1. Vout programming accuracy		+/-0.5% of rated output voltage										X	X
2. Iout programming accuracy		+/-0.5% of rated output current for units with Io<187.5; +/-0.7% of rated output current for Io ≥187.5										X	X
3. Vout programming resolution		0.02% of full scale										X	X
4. Iout programming resolution		0.04% of full scale										X	X
5. Vout readback accuracy		0.1%+0.2% of rated output voltage										X	X
6. Iout readback accuracy		0.1%+0.4% of rated output current										X	X
7. Vout readback resolution		0.02% of full scale										X	X
8. Iout readback resolution		0.02% of full scale										X	X
9. OV Response time		20 mS maximum between output V exceeding IEEE Limit and supply inhibit turning on.										X	X
10. Other Functions		Set Over-Voltage Limit, Set Local/Remote										X	X

\*1. Ripple and Noise at Full Rated Voltage & Load at 25C, Nominal Line. Per EIJ R9002A

\*2. Time for the rated output voltage to recover within 2% for a load change of 50~100% or 100~50% of rated output.

# Genesys™ 10/15kW Specifications

1.0 MODEL	GEN	80-125	100-100	125-80	150-66	200-50	250-40	300-33	400-25	500-20	600-17	10kW	15kW
1. Rated output voltage	V	80	100	125	150	200	250	300	400	500	600	X	
2. Rated output current	A	125	100	80	66	50	40	33	25	20	17	X	
3. Rated output power	kW	10.0	10.0	10.0	9.9	10.0	10.0	9.9	10.0	10.0	10.2	X	
4. Efficiency (min) at low line, 100% Rated Load	%	83										X	

1.0 MODEL		80-187.5	100-150	125-120	150-100	200-75	250-60	300-50	400-37.5	500-30	600-25	10kW	15kW
1. Rated output voltage	V	80	100	125	150	200	250	300	400	500	600		X
2. Rated output current	A	187.5	150	120	100	75	60	50	37.5	30	25		X
3. Rated output power	kW	15.0	15.0	15.0	15.0	15.0	15.0	15.0	15.0	15.0	15.0		X
4. Efficiency (min) at low line, 100% Rated Load	%	88										X	

Contact factory for other models

## 1.1 CONSTANT VOLTAGE MODE

1. Max. line regulation (0.1% Vo Max =<30V; 0.01%>30V)	mV	8	10	12.5	15	20	25	30	40	50	60	X	X
2. Max. load regulation (0.1% Vo Max =<30V; 0.02%>30V)	mV	16	20	25	30	40	50	60	80	100	120	X	X
3. Ripple r.m.s 5Hz~1MHz c.v (*1)	mV	25	25	25	25	35	35	60	60	60	60	X	X
4. Output noise p-p(20MHz) c.v (*1)	mV	100	100	125	150	175	200	200	300	350	350	X	X
5. Remote sense compensation/wire	V	4	5	5	5	5	5	5	5	5	5	X	X
6. Temp. drift c.v	---	+/-0.05% of Vo Rated Over 8 hours, after 30 minute warm up, constant Line, Load & Temperature										X	X
7. Stability c.v	PPMC	200 (0.02% Vo Rated)/Degree C										X	X
8. Up-prog. response time, 0~Vomax full-load	mS	100	100	100	100	100	100	100	100	100	100	X	X
9. Up-prog. response time, 0~Vomax, no load	mS	50	50	50	50	50	50	50	50	50	50	X	X
10. Transient response time (cv mode) (*2)	mS	less than 3.										X	X

## 1.2 CONSTANT CURRENT MODE

1. Max. line regulation (0.1% Io Max =>333A; 0.05%<333A)	mA	62.5	50	40	33	25	20	17	13	10	9	X	
2. Max. load regulation (0.1% Io Max =>333A; 0.075%<333A)	mA	94	75	60	50	38	30	25	19	15	13	X	
1. Max. line regulation (0.1% Io Max =>333A; 0.05%<333A)	mA	94	75	60	50	38	30	25	19	15	13		X
2. Max. load regulation (0.1% Io Max =>333A; 0.075%<333A)	mA	141	113	90	75	56	45	38	28	23	19		X
3. Ripple r.m.s 5Hz~1MHz c.c	mA	50	40	32	26	20	16	13	10	8	7	X	
3. Ripple r.m.s 5Hz~1MHz c.c	mA	100	100	50	50	20	20	20	10	10	10		X
4. Temp. drift c.c	---	+/-0.05% of Io Rated Over 8 hours, after 30 minute warm up, constant Line,										X	X
5. Stability c.c	PPMC	300(0.03% Full Scale)/ Degree C										X	X

## 1.3 PROTECTIVE FUNCTIONS

1. OCP	%	0~100										X	X
2. OCP type	---	Constant current										X	X
3. Foldback protection	---	Output shut down, manual reset by front panel OUT button.										X	X
4. Foldback response time	S	Less than 1										X	X
5. OVP type	---	Inverter shut-down, manual reset by On/Off recycle or by OUT button										X	X
6. OVP programming accuracy	%	5% Full Scale										X	X
7. OVP trip point	V	0.05 to (1.02-1.05) x Rated Output Voltage										X	X
8. OVP response time	mS	Less than 10mS for Output to begin to drop.										X	X
9. Max. OVP reset time	S	7 from Turn On.										X	X
10. Over temperature protection	---	Shut down if internal temperature exceeds safe operating levels. (Latched in Safe Mode/ Unlatched in Auto										X	X
11. Phase Loss Protection	---	Yes										X	X

## 1.4 REMOTE ANALOG CONTROLS & SIGNALS

1. Vout voltage programming		0~100%, 0~5V or 0~10V, user selectable. Accuracy & Linearity +/-1% of Rated Vo.										X	X
2. Iout voltage programming		0~100%, 0~5V or 0~10V, user selectable. Accuracy & Linearity +/-1% of Rated Io.										X	X
3. Vout resistor programming		0~100%, 0~5/10kohm full scale, user selectable. Accuracy & Linearity +/-1% of Rated Vo.										X	X
4. Iout resistor programming		0~100%, 0~5/10kohm full scale, user selectable. Accuracy & Linearity +/-1% of Rated Io.										X	X
5. On/Off control (rear panel)		By Voltage: 0.6V = Disable, 2-15V = enable (default) or dry contact, user selectable logic										X	X
6. Output current monitor		0~5V or 0~10V, accuracy:1%, user selectable										X	X
7. Output voltage monitor		0~5V or 0~10V, accuracy:1%, user selectable										X	X
8. Power supply OK signal		Yes. TTL high-OK, 0V (500ohm impedance)-Fail										X	X
9. CV/CC signal		CV: TTL high (4~5V) source: 10mA, CC: TTL low (0~0.4V): 10mA										X	X
10. Enable/Disable		Dry contact. Open: Off, Short: On. Max. voltage at Enable/Disable Contacts 6V										X	X
11. Remote/Local selection		Selects Remote or Local operation by Voltage: 0~0.6V/2~15V, <0.6V = Local 2-15V = Remote										X	X
12. Remote/Local signal		Signals operating mode in use.										X	X

## 1.5 FRONT PANEL

1. Control functions		Vout/ Iout manual adjust by separate encoders, Fine and Coarse selectable. OVP/UVL manual adjust by Voltage Adjust encoder, Front Panel Lock/Unlock Address selection by Voltage adjust encoder. No of addresses:31 AC On/Off, Output On/Off, Restart Modes (Auto/Safe), Foldback Control (CV to CC), Go to Local RS232/485 and IEEE488.2 selection by IEEE enable switch and DIP switch Baud rate selection by Current adjust encoder. Parallel Master Slave:Hx, where x = Slaves 0 up to four.										X	X
2. Display		Vout: 4 Digits, Accuracy: 0.5% +/- 1 Count Iout: 4 Digits, Accuracy: 0.5% +/- 1 Count Voltmeter is user selectable to read either local voltage (at power supply) or remote voltage (at the load).										X	X
3. Indications		ADDR., OVP/UVL, V/A, FOLD, REM./LOCAL, OUT ON/OFF, LFP/UFP, CC/CV : GREEN LED's. ALRM (OVP,OTP,FOLD,AC FAIL): RED LED										X	X

## 1.6 DIGITAL PROGRAMMING & READBACK

1. Vout programming accuracy		+/-0.5% of rated output voltage										X	X
2. Iout programming accuracy		+/-0.5% of rated output current for units with Io<187.5; +/-0.7% of rated output current for Io ≥187.5										X	X
3. Vout programming resolution		0.02% of full scale										X	X
4. Iout programming resolution		0.04% of full scale										X	X
5. Vout readback accuracy		0.1%+0.2% of rated output voltage										X	X
6. Iout readback accuracy		0.1%+0.4% of rated output current										X	X
7. Vout readback resolution		0.02% of full scale										X	X
8. Iout readback resolution		0.02% of full scale										X	X
9. OV Response time		20 mS maximum between output V exceeding IEEE Limit and supply inhibit turning on.										X	X
10. Other Functions		Set Over-Voltage Limit, Set Local/Remote										X	X

\*1. Ripple and Noise at Full Rated Voltage & Load at 25C, Nominal Line. Per EIJ R9002A

\*2. Time for the rated output voltage to recover within 2% for a load change of 50~100% or 100~50% of rated output.

# General Specifications Genesys™ 10/15kW

## 2.1 INPUT CHARACTERISTICS

1. Input voltage/freq. (range)	---	208VAC (180-253); 400VAC (360/440); 480VAC (432-528), all 47-63Hz.
2. No. of phases	---	3 Phase (Wye or Delta) 4 wire total (3 Phase and 1 protective earth ground)
3. Dropout voltage	V	180/360/432
4. Input current 180/360/432Vac	A	10kW - 45/23/20; 15kW - 64/32/27 All at full rated output power.
5. Inrush current	A	Not to exceed full rated Input current See Para. 2.4
6. Power Factor	---	0.88 Passive
7. Leakage current	mA	3.5 (EN60950) max.
8. Input Protection	---	208 VAC Circuit Breaker; 400VAC, 480VAC - Line Fuse
9. Input Overvoltage Protection	---	Unit shall not be damaged by line overvoltage with max. duration of 100uSec. Up to 120% of nominal AC input voltage.
10. Phase Imbalance	%	= < 5% on Three Phase Input

## 2.2 POWER SUPPLY CONNECTION

1. Parallel operation		Up to Four (4) identical units may be connected in Master/Slave Mode with 'Single' wire connection. In Advanced parallel feature, the current of Master Unit, multiplied by number of units connected in parallel, is made available on digital interface and displayed on front panel of Master unit. Remote analog current monitor of the Master is scaled to output current of the Master unit (only).
2. Series operation		Possible (with external diodes) , up to identical 2 units with total output not to exceed +/-600V from chassis ground.

## 2.3 ENVIRONMENTAL CONDITIONS

1. Operating temp	C	0-50 C, 100% load.
2. Storage temp	C	-20C to +70C
3. Operating humidity	%	20-80% RH Non-condensing
4. Storage humidity	%	10-90% RH Non-condensing
5. Vibration & Shock (208/400VAC)		ASTM D4169, Standard Practice for Performance Testing of Shipping Containers and Systems, Shipping Unit: Single Package Assurance Level: Level II; Acceptance Criteria: Criterion 1 - No product damage Criterion 2 - Packaging is intact, Distribution Cycle: 12 - G Air (intercity) and motor freight (local), unitized is used
6. Altitude	---	Operating: 50° C up to 7500 ft. (2500m), 45° C from 7501 to 10,000ft (2501m - 3000m) Non Operating 40,000 ft (12,000m)
7. Audible Noise	db	65dBA at Full Load, measured 1m from Front Panel

## 2.4 EMC

<b>1. 208 Volts Input Models</b>		CE Mark
1. ESD	---	EN61000-4-2 (IEC 801-2) Air-disch. +/-8kV , contact disch. +/-4kV
2. Fast transients	---	EN61000-4-4 (IEC 1000-4-3)
3. Surge immunity	---	EN61000-4-5 (IEC 1000-4-5)
4. Conducted immunity	---	EN61000-4-6 (IEC 1000-4-6)
5. Radiated immunity	---	EN61000-4-3 (IEC 1000-4-3)
6. Power Frequency Magnetic Field	---	EN61000-4-8
7. Conducted emission	---	EN55011A, FCC part 15J-A
8. Radiated emission	---	EN55011A, FCC part 15J-A
<b>2. 400 Volts Input Models</b>		CE Mark
1. ESD	---	EN61000-4-2 (IEC 801-2) Air-disch. +/-8kV , contact disch. +/-4kV
2. Fast transients	---	EN61000-4-4 (IEC 1000-4-3)
3. Surge immunity	---	EN61000-4-5 (IEC 1000-4-5)
4. Conducted immunity	---	EN61000-4-6 (IEC 1000-4-6)
5. Radiated immunity	---	EN61000-4-3 (IEC 1000-4-3)
6. Power Frequency Magnetic Field	---	EN61000-4-8
7. Voltage Dips, Short Interruptions and Voltage Variations Immunity Tests (400VAC Only).	---	IEC 61000-4-11
8. Conducted emission	---	EN55011A, FCC part 15J-A
9. Radiated emission	---	EN55011A, FCC part 15J-A

## 2.5 SAFETY

1. Applicable standards	---	UL/CUL 60950-1, EN60950-1 recognized. All Outputs are Hazardous. (Units with IEMD or ISOL option are Recognized up to 400 volts output). CE Mark 208 & 400VAC Inputs only (CB Scheme).
2. Insulation resistance	---	100Mohm at 500Vdc

## 2.6 MECHANICAL CONSTRUCTION

1. Cooling	---	Fan driven, Airflow from Front to Rear. Supplemental vents on side that shall not be blocked. EIA Rack mounting, stackable. "Zero Stackable" top and bottom. Slides or suitable rear support required.
2. Weight	Kg/Lb	43/97
3. Dimensions (W x H x D)	---	W: 19" Rack, H: 3U - 5.22"(133mm), D - 22.2" (564mm) without connectors.
4. Types of connectors	---	1) Input: Threaded Studs and terminal cover. Strain relief optional. 2) Output: Up to and including 300V Models: bus-bars. Greater than 300V Models: threaded stud terminals 3) Analog programming: DB25, plastic connector, AMP, 747461-5, Female on Power Supply, Male on Mating connector 747321. Standard 25 pin D connector.
5. Mounting method	---	Standard 19" Rack Mount, provision for standard slides. Side/Rear Support is required; do not mount by F/P only.
6. Output ground connection	---	M5 Stud

## 2.7 RELIABILITY

1. Warranty	Yrs.	5 years
-------------	------	---------

# Genesys™ Power Parallel and Series Configurations

## Parallel operation - Master/Slave:

Active current sharing allows up to four identical units to be connected in an auto-parallel configuration for four times the output power.

In Advanced Parallel Master/Slave Mode, total current is programmed and reported by the Master. Up to four supplies act as one.

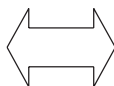


## Series operation

Up to two units may be connected in series to increase the output voltage or to provide bipolar output. (Max 600V to Chassis Ground).

## Remote Programming via RS-232 & RS-485 Interface

Standard Serial Interface allows daisy-chain control of up to 31 power supplies on the same communication bus with built-in RS-232 & RS-485 Interface with or without Multi-Drop option.



## Programming Options (Factory installed)

### New IEEE Multi-Drop Interface

P/N: IEMD

- Allows IEEE Master to control up to 30 (Multi-Drop equipped) slaves over RS-485 daisy-chain
- Only the Master needs be equipped with IEEE Interface
- IEEE 488.2 SCPI Compliant
- Program Voltage
- Measure Voltage
- Over Voltage setting and shutdown
- Error and Status Messages
- Program Current
- Measure Current
- Current Foldback shutdown

### New Multi-Drop Slave Option

P/N: MD

- Slaves need to be equipped with the MD Slave (RS-485) option

### Isolated Analog Programming

P/N: IS510

P/N: IS420

- Four Channels to Program and Monitor Voltage and Current.
- Isolation allows operation with floating references in harsh electrical environments.
- Choose between programming with Voltage or Current.
- Connection via removable terminal block: Phoenix MC1,5/8-ST-3.81.

- Voltage Programming, user-selectable 0-5V or 0-10V signal.  
Power supply Voltage and Current Programming Accuracy  $\pm 1\%$   
Power supply Voltage and Current Monitoring Accuracy  $\pm 1.5\%$
- Current Programming with 4-20mA signal.  
Power supply Voltage and Current Programming Accuracy  $\pm 1\%$   
Power supply Voltage and Current Monitoring Accuracy  $\pm 1.5\%$

### LAN Interface

### LXI Compliant to Class C

P/N: LAN

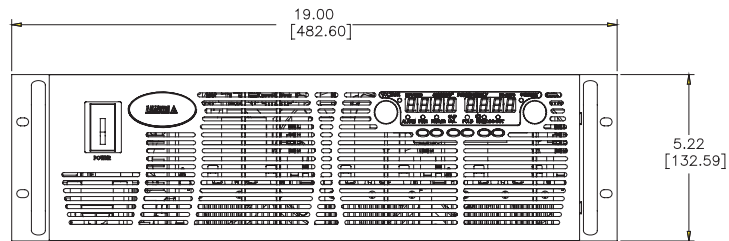
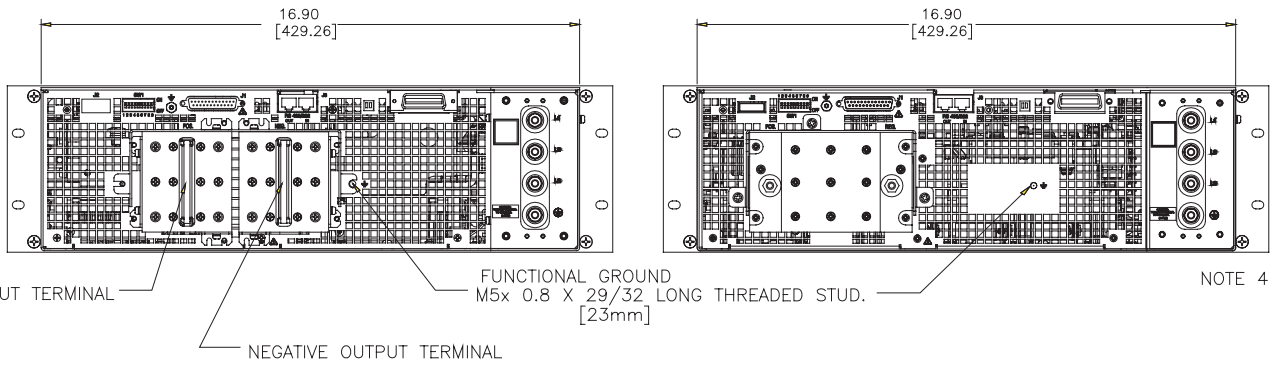
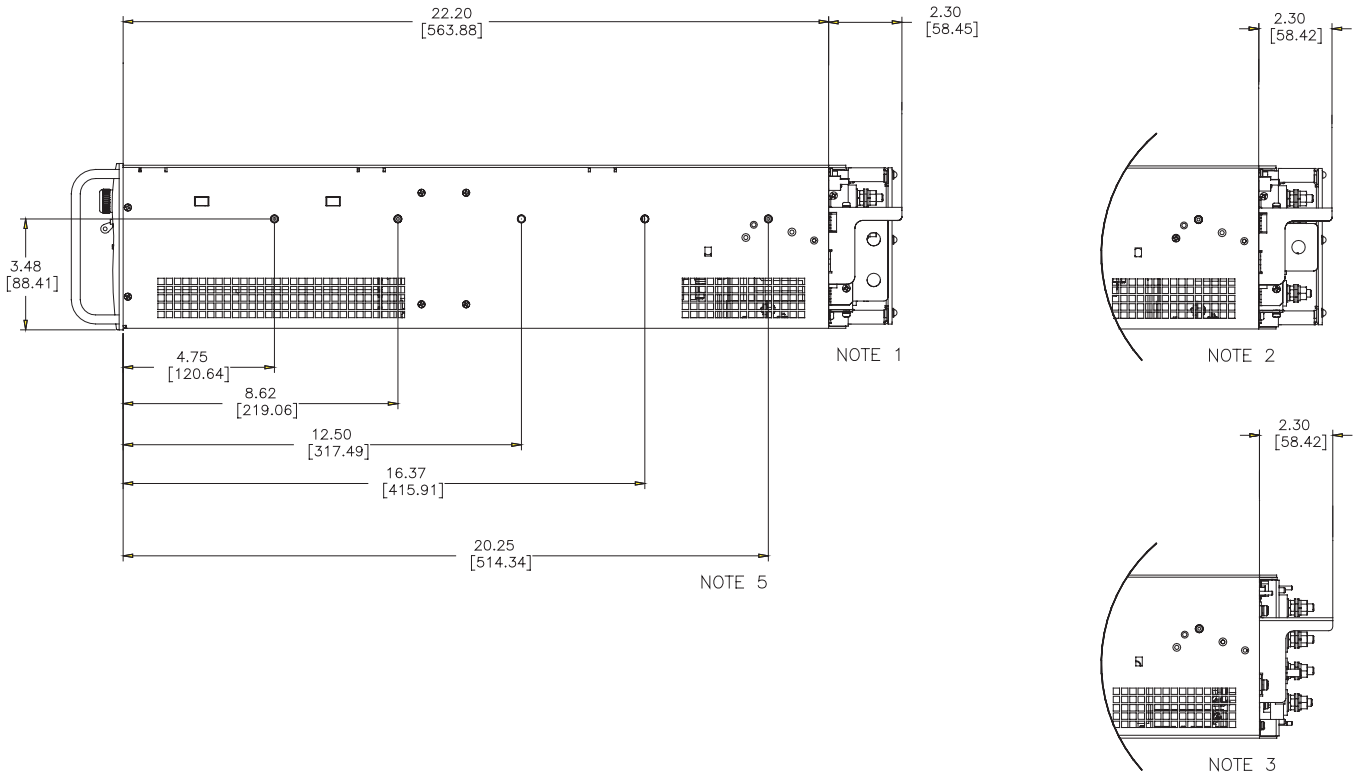
- Meets all LXI-C Requirements
- Address Viewable on Front Panel
- Fixed and Dynamic Addressing
- Fast Startup
- VISA & SCPI Compatible
- LAN Fault Indicators
- Auto-detects LAN Cross-over Cable
- Compatible with most standard Networks

### USB Interface

P/N: USB

- Allows Serial Connection to USB Port on computer
- Serial commands same as (standard) RS-232/RS-485 Interface

# Outline Drawings Genesys™ 3U - 10/15kW



## NOTES:

1. For models up to 80VDC Output two holes 0.42" Dia (10.72mm)
2. For models 100-300VDC Output one hole 0.42" Dia (10.72mm)
3. For models above 300V Output threaded stud terminal
4. Input Terminals M6x1 (3 + GND)
5. Mounting for Slide Mounts (not included).  
Recommend General Devices, Chassis Trak P/N C230-S-122.  
Secure with pan head screw M5x0.8-8mm long MAX.



# Power Supply Identification / Accessories

## How to order

**GEN 10 - 1000 -**

Series Output Output  
Name Voltage Current  
(0~10V) (0~1000A)

Factory Options

Option: : IEMD  
MD  
IS510  
IS420  
LAN  
USB

AC Input options

3P208 (Three Phase 208VAC)  
3P400 (Three Phase 400VAC)  
3P480 (Three Phase 480VAC)

### Models 10/15kW

Model	Output Voltage VDC	Output Current (A)	Output Power (kW)
GEN 7.5-1000	0~7.5	0~1000	7.5
GEN 10-1000	0~10	0~1000	10
GEN 12.5-800	0~12.5	0~800	10
GEN 20-500	0~20	0~500	10
GEN 25-400	0~25	0~400	10
GEN 30-333	0~30	0~333	10
GEN 40-250	0~40	0~250	10
GEN 50-200	0~50	0~200	10
GEN 60-167	0~60	0~167	10
GEN 60-250		0~250	15
GEN 80-125	0~80	0~125	10
GEN 80-187.5		0~187.5	15
GEN 100-100	0~100	0~100	10
GEN 100-150		0~150	15
GEN 125-80	0~125	0~80	10
GEN 125-120		0~120	15

Model	Output Voltage VDC	Output Current (A)	Output Power (kW)
GEN 150-66	0~150	0~66	10
GEN 150-100		0~100	15
GEN 200-50	0~200	0~50	10
GEN 200-75		0~75	15
GEN 250-40	0~250	0~40	10
GEN 250-60		0~60	15
GEN 300-33	0~300	0~33	10
GEN 300-50		0~50	15
GEN 400-25	0~400	0~25	10
GEN 400-37.5		0~37.5	15
GEN 500-20	0~500	0~20	10
GEN 500-30		0~30	15
GEN 600-17	0~600	0~17	10
GEN 600-25		0~25	15

### Factory options

RS-232/RS-485 Interface built-in Standard  
 GPIB (Multi-Drop Master) Interface  
 Multi-Drop Slave Interface  
 Voltage Programming Isolated Analog Interface  
 Current Programming Isolated Analog Interface  
 LAN Interface (Complies with **LXI** Class C)  
 USB Interface

### P/N

-  
IEMD  
MD  
IS510  
IS420  
LAN  
USB

## Accessories

### 1. Serial Communication cable

RS-232/RS-485 cable is used to connect the power supply to the Host PC.

Mode	RS-485	RS-232	RS-232
PC Connector	DB-9F	DB-9F	DB-25F
Communication Cable	Shield Ground L=2m	Shield Ground L=2m	Shield Ground L=2m
Power Supply Connector	EIA/TIA-568A (RJ-45)	EIA/TIA-568A (RJ-45)	EIA/TIA-568A (RJ-45)
P/N	GEN/485-9	GEN/232-9	GEN/232-25

### 2. Serial link cable\*

Daisy-chain up to 31 Genesys™ power supplies.

Mode	Power Supply Connector	Communication Cable	P/N
RS-485	EIA/TIA-568A (RJ-45)	Shield Ground L=50cm	GEN/RJ45

\* Included with power supply



Also available Genesys™

1U Half Rack 750W  
 1U 750/1500W  
 2U 3.3kW

## Europe / North America

### NORTH AMERICA

Lambda Americas, Inc.  
405 Essex Rd. Neptune, NJ 07753  
Tel: +1-732-922-9300 Fax: +1-732-922-1441  
E-mail: sales@lambda.com  
www.lambda-hp.com

### UK

Lambda UK  
Kingsley Avenue Ilfracombe, Devon  
EX 34 8ES United Kingdom  
Tel: +44-1271-856666 Fax: +44-1271-864894  
E-mail: powersolutions@lambda-europe.com  
www.lambda-gb.com

### FRANCE

Lambda SAS,  
ZAC des Delaches  
BP 1077 - Gometz le Chatel  
91940 LES ULIS  
Tel: +33 1 60 12 71 65  
Fax: +33 1 60 12 71 66  
www.lambda-f.com

### GERMANY

Power Control Electronic GmbH & Co.KG  
Bahnhofstrasse 22  
D-87463 Dietmannsried  
Tel: +49-8374-23260-0  
E-mail: pce@powercontrol.de

### AUSTRIA

Power Control Electronic GmbH & Co.KG  
Bahnhofstrasse 22  
D-87463 Dietmannsried  
Tel: +49-8374-23260-0  
E-mail: pce@powercontrol.de

### ITALY

Lambda S.r.l.  
Via dei Lavoratori 128/130  
IT 20092 Cinisello Balsamo (MI)  
Tel: +39-02-6129-3863 Fax: +39-02-6129-0900  
www.lambda-italy.com

### SCANDINAVIA

Lambda Scandinavia  
PO Box 546  
Rallarvägen 41  
SE-184 25 Akersberga, Sweden  
Tel: +46 854 084 990  
Fax: +46 854 066 096  
www.lambda-scandinavia.com

## Asia / Far East / Middle East

### JAPAN

Densei Lambda KK,  
5F Dempa Bldg, 1-11-15 Higashigotanda,  
Shinagawa-Ku, Tokyo 141-0022, Japan  
Tel: +81 3 3447 4693  
Fax: +81 3 3447 4750  
www.densei-lambda.com

### CHINA

Shanghai Office of Wuxi Nemic-Lambda Electronic Co. Ltd.  
4F 2008 Hongmei Bldg, Hongmei Road,  
Cao He Jing Hi-Tech Park,  
Shanghai, China 200233  
Tel: +86-21-6485-0777 Fax: +86-21-6485-0666

Densei-Lambda K.K. Beijing Office  
Room 818 Office Tower One, Beijing Junefield Plaza,  
No.6 Xuanwumenwai St.,  
Xuanwu District, Beijing P.R.CHINA 100052  
Tel: +86-10-6310-4872 Fax: +86-10-6310-4874  
www.densei-lambda.com.cn

### HONG KONG

Densei Lambda Hong Kong Branch  
Room. 8, 27/F, Mega Trade Center  
1 Mei Wan St. Tsuen Wan, N.T. Hong Kong  
Tel: +852-2420-6693 Fax: +852-2420-3362  
www.densei-lambda.com

### KOREA

Densei Lambda K.K. Korea Branch  
6F Songok Bldg. 4-1 Soonae-Dong  
Pundang-Gu, Songnam-Shi Kyonggi-Do, 463-020 Korea  
Tel: +82-2-556-1171 Fax: +82-2-555-2706  
www.densei-lambda.co.kr

### MALAYSIA

Nemic-Lambda (M) SDN. BHD.  
No.7.3, 7th Floor, Jaya Shopping Center,  
Jalan Semangat Section 14, 46100  
Petaling Jaya Selangor, D.E, Malaysia  
Tel: +60-3-7957-8800 Fax: +60-3-7958-2400  
www.densei-lambda.com

### SINGAPORE

Nemic-Lambda (S) PTE Ltd.  
Blk 1008 Toa Payoh North # 06-01/08  
Singapore 318996  
Tel: +65-6251-7211 Fax: +65-6250-9171  
www.densei-lambda.com

### ISRAEL

Nemic Lambda Ltd.  
Sales Office:  
Kibbutz Givat Hashlosha Tel-Aviv 48800, Israel  
Tel: +972-3-9024-333 Fax: +972-3-9024-777  
Plant:  
POB 500 Karmiel Industrial Zone 20101, Israel  
Tel: +972-4-9887-491 Fax: +972- 4-9583-347  
E-mail: info@nemic.co.il  
www.nemic.co.il